



Illustrated Parts List



This pressure washer is rated in accordance to the Pressure Washer Manufacture Association (PWMA) standard PW101 (Testing and Rating Performance of Pressure Washers).

Questions? Help is just a moment away!

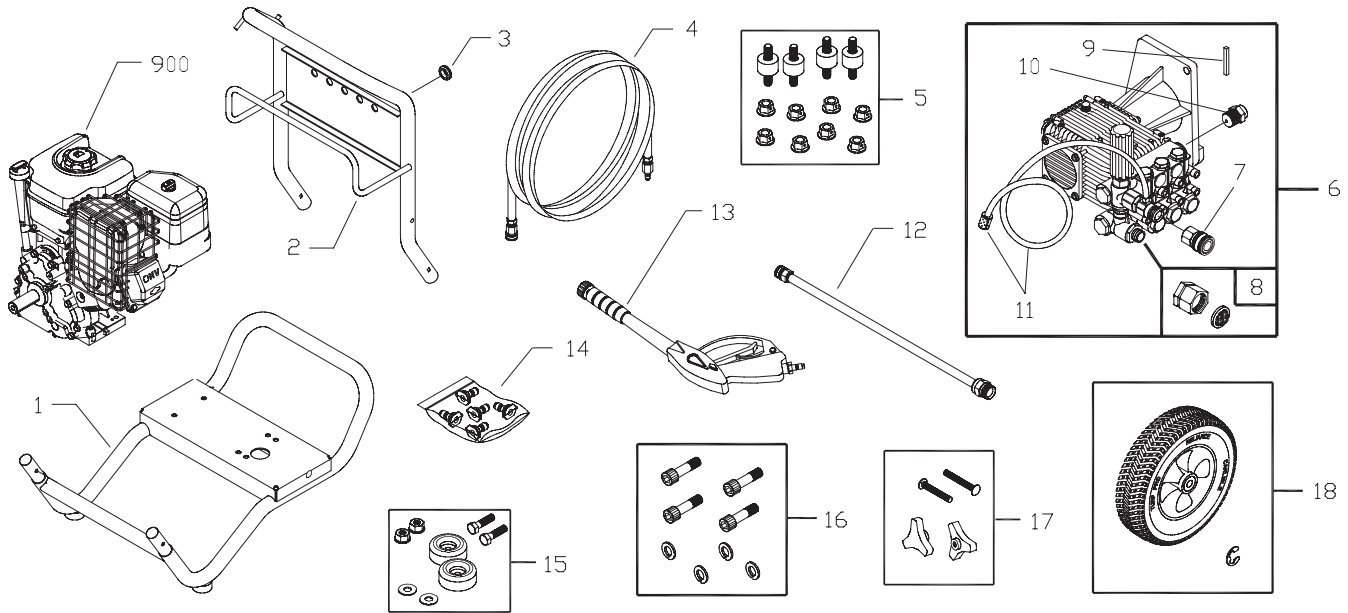
Call: **Pressure Washer Helpline**

1-800-743-4115 M-F 8-5 CT

BRIGGS & STRATTON POWER PRODUCTS GROUP, LLC
JEFFERSON, WISCONSIN, U.S.A.

Model No. 020380 (3200 PSI (220.6 BARS) Pressure Washer) Manual No. 207488A Revision - (08/01/2008)

Exploded View and Parts List — Main Unit



Item	Part #	Description
1	207274GS	BASE, w/Mounts
2	J201457GS	HANDLE
3	30809GS	GROMMET
4	205734GS	HOSE
5	192134GS	KIT, Engine Mounting Hardware
6	195081GS	ASSY, Pump
7	95458GS	QUICK CONNECT
8	194004GS	KIT, Garden Hose Inlet
9	63281GS	KEY
10	195016GS	VALVE, Thermal Relief
11	192796GS	KIT, Chemical Hose/Filter
12	193814GS	EXTENSION, QC
13	199956GS	GUN
14	207491GS	KIT, Spray Tips
	195983AGS	Nozzle, QC, Red
	195983BGS	Nozzle, QC, Yellow
	195983CGS	Nozzle, QC, Green
	195983DGS	Nozzle, QC, White
	198841GS	Nozzle, Plastic, Soap

Item	Part #	Description
15	192310GS	KIT, Vibration Mount
16	192132GS	KIT, Pump Mounting Hardware
17	B2203GS	KIT, Handle Fastening
18	204876GS	KIT, Wheel
	191265GS	E-Ring
900	§	ENGINE

Items Not Illustrated

207488GS	MANUAL, Operator's
191267RGS	AXLE
200171GS	KIT, Tag, Warning, Service
6048	KIT, O-Ring Maintenance
192014GS	FITTING, 1/2
192015GS	FITTING, 3/4

Optional Accessories

6039	PUMP SAVER
------	------------

§ - Contact Engine Manufacturer

Copyright © 2008 Briggs & Stratton Power Products Group, LLC. All rights reserved. No part of this material may be reproduced or transmitted in any form by any means without the express written permission of Briggs & Stratton Power Products Group, LLC.